

Bell Hydromatics

Fixed Displacement Vane Pumps Single Pumps

IVP(Q)4



IVP(Q) Single Pumps Max. Continuous Pressures

Frame Size	◆Code	Geometric Displacement cm ³ /r	IVP(Q)		F11-IVP(Q)		F3-IVP(Q)		Min. Speed (rpm)
			♣using antiwear oil or phosphate ester fluid		Using water glycol fluid		Using Water-in-oil emulsions		
			Max. Pressure (bar)	Max. Speed (rpm)	Max. Pressure (bar)	Max. Speed (rpm)	Max. Pressure (bar)	Max. Speed (rpm)	
IVP(Q)4	30	96.0	172	1800	157	1500	138	1200	600
	35	109							
	38	128							
	42	134							
	50	156							
	60	189							
	67	210	157						
	75	236	138		138				

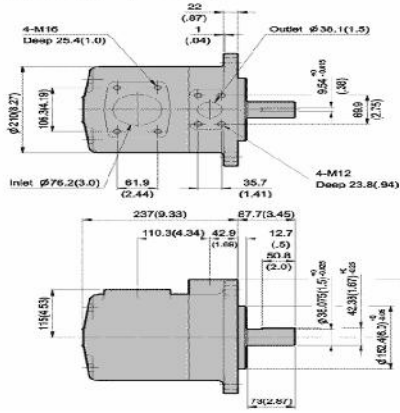
◆ Transient (peak) pressure 10% over the max. continuous pressure rating for 0.5 seconds or less duration is allowed.

♣ Rated capacity in USgpm at 1200 rpm and 6.9 bar

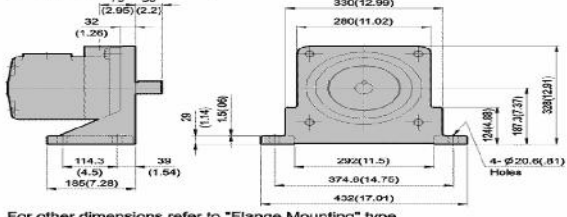
Dimensions

IVP4 Single Pumps – Dimensions

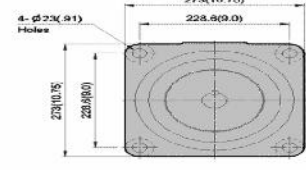
IVP4 Flange Mounting



IVP4 Foot Mounting

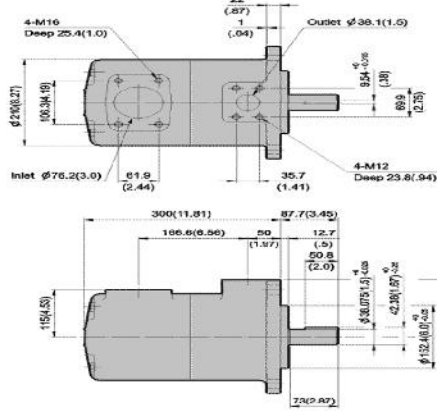


For other dimensions, refer to "Flange Mounting" type

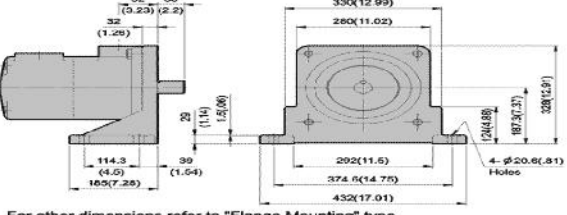


IVPQ4 Single Pumps – Dimensions

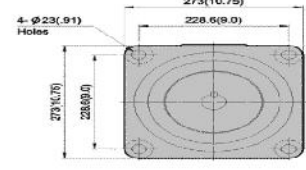
IVPQ4 Flange Mounting



IVPQ4 Foot Mounting

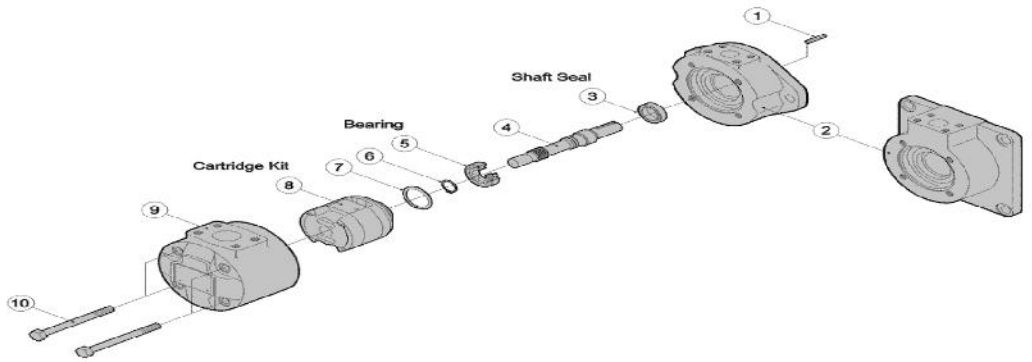


For other dimensions, refer to "Flange Mounting" type



Assembly

IVP4 Single Pumps – Assembly



IVPQ4 Single Pumps – Assembly

